

Fixed 4K IR Camera with Strobes and Sirens

Installation Manual



Fixed 4K IR Camera with Strobes and Sirens Installation Manual



24/7 Support

Your purchase of this TrueLook system includes customer and technical support. If you have any questions regarding the use or configuration of this equipment and software, please don't hesitate to contact us.

Phone 833.878.3566

Email support@truelook.com

Office 575 4th Street E, Winston Salem, NC 27101

Online Resources

Use this QR code or visit truelook.com/install to access:

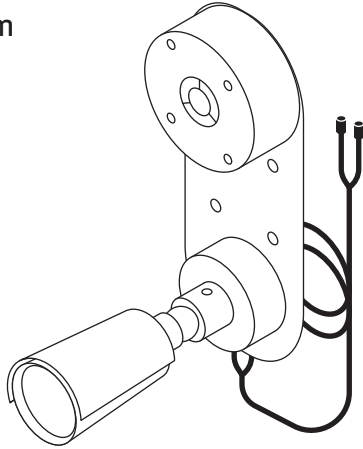
- 1 An admin guide to walk you through creating your time-lapses and other administrative settings.
- 2 Video demonstrations of installation procedures.
- 3 A digital PDF of this install guide.
- 4 Download links for the TrueLook mobile app.
- 5 Other helpful resources.



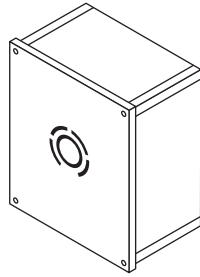
For Terms & Conditions as well as Warranty information, visit truelook.com/terms-conditions.

Hardware Packing List

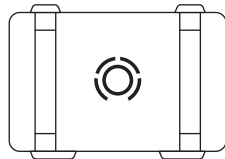
Camera & Siren System



Control Box

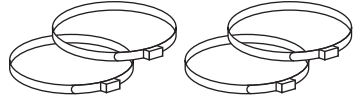


Rugged Hard Case

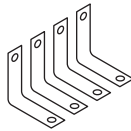


Hardware Packing List

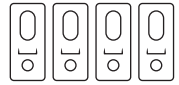
Pole Mounting Hardware



Wall Mounting Hardware



L Brackets (4 pcs)



Mounting Feet (4 pcs)



Screws



Flat Washers

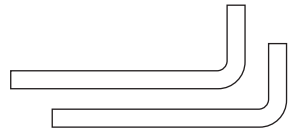


Lock Washers



Nuts

Mounting Hardware



Allen Wrenches

Solar units will also include panel, battery, and battery housing. These are shipped separately.

Powering the Camera System to Verify Operation



THIS EQUIPMENT CONTAINS FLASHING LIGHTS, WHICH MAY INDUCE EPILEPTIC SEIZURES IN AT-RISK INDIVIDUALS.

Before getting started, power your system to verify proper operation before installation. It is easier to troubleshoot an issue before it's installed in its final location.

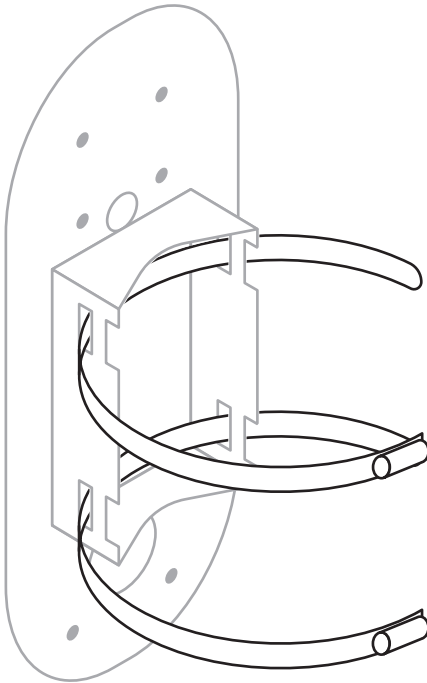
You may log in to your camera at app.truelook.cloud using your unique username and password located on the back cover of this guide.

Pole Mounting

Camera

STEP 01

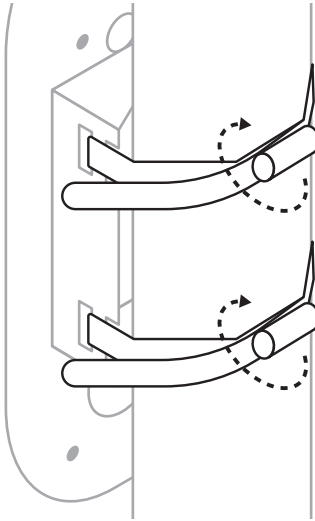
Thread steel straps through top and bottom of pole mounting base on back of steel plate.



Pole Mounting

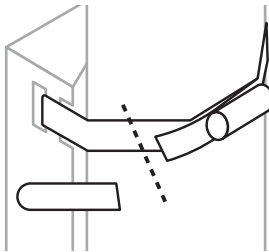
STEP 02

Tighten each strap around pole using drill with 5/16 hex head driver bit (not included).



STEP 03

Trim steel straps to desired length using tin snips (not included).

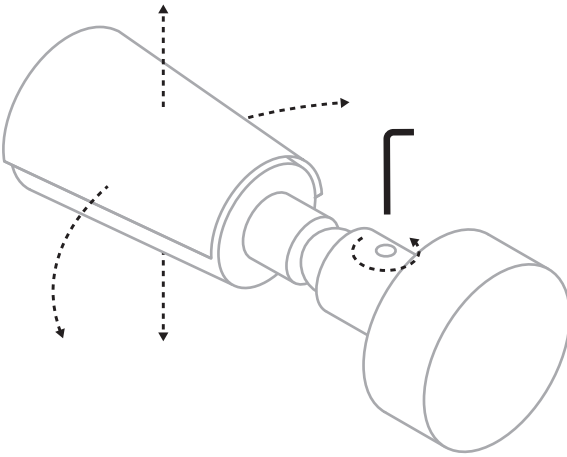


MOUNTING

Pole Mounting

STEP 04

Loosen screw on camera neck with Allen wrench (included) to adjust camera angle.



STEP 05

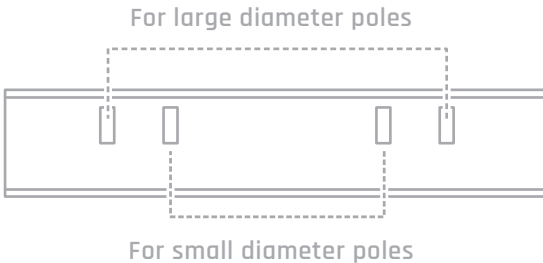
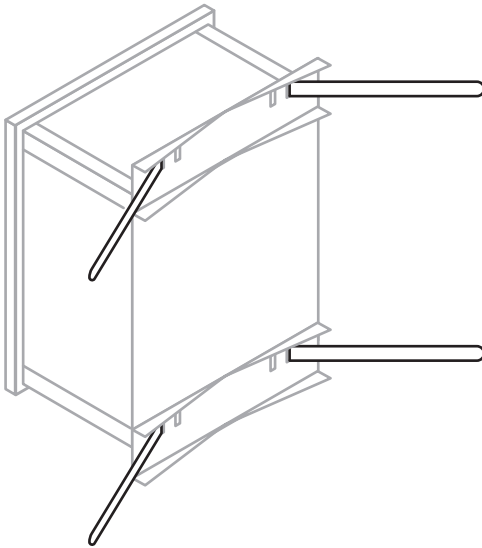
Tighten screw on camera neck with Allen wrench when desired angle is chosen.

Pole Mounting

Control Box

STEP 01

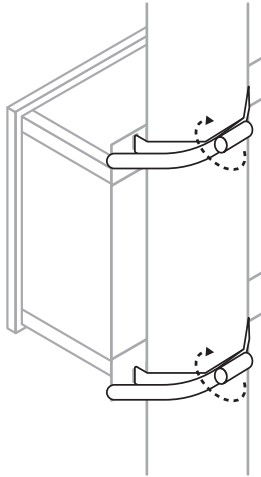
Thread steel straps through top and bottom of pole mounting hardware on top and bottom of control box.



Pole Mounting

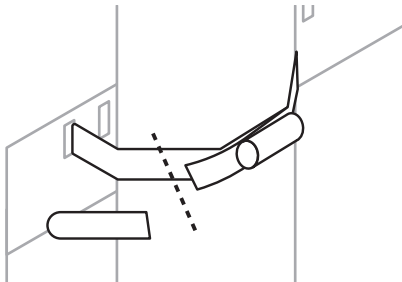
STEP 02

Tighten each strap around pole using drill with 5/16 hex head driver bit.



STEP 03

Trim steel straps to desired length using tin snips.

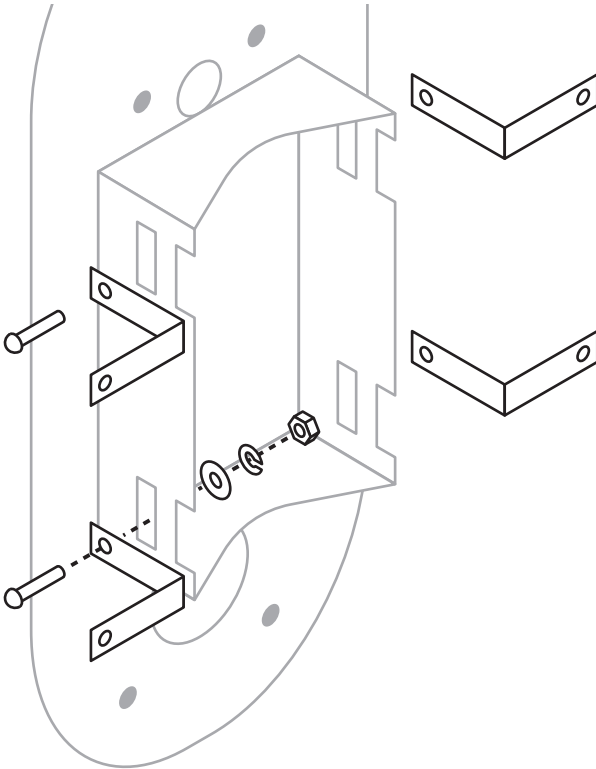


Wall Mounting

Camera

STEP 01

Attach wall mounting hardware to sides of pole mount with screw, washer, lock washer, and nut, using drill with Phillips #2 bit (not included) on screws and pliers (not included) to hold nuts tight.



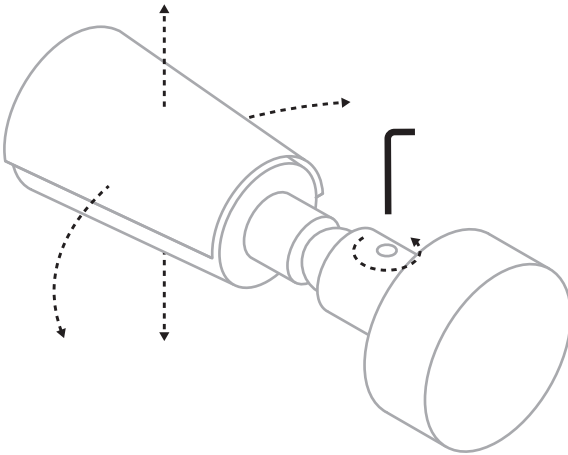
Wall Mounting

STEP 02

Using hardware appropriate for your mounting surface, attach camera to wall.

STEP 03

Loosen screw on camera neck with Allen wrench (included) to adjust camera angle.



STEP 04

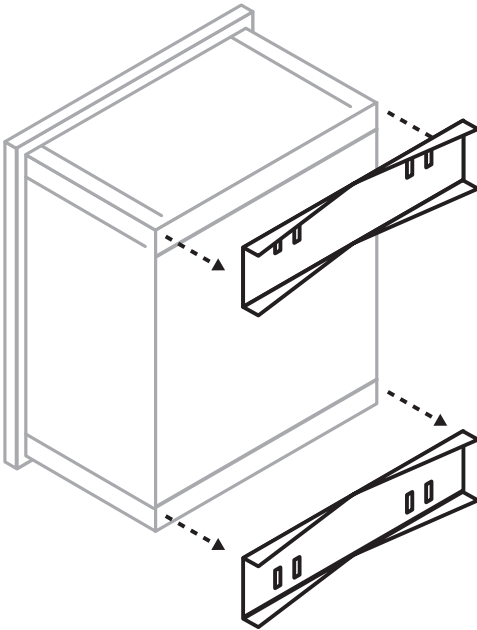
Tighten screw on camera neck with Allen wrench when desired angle is chosen.

Wall Mounting

Control Box

STEP 01

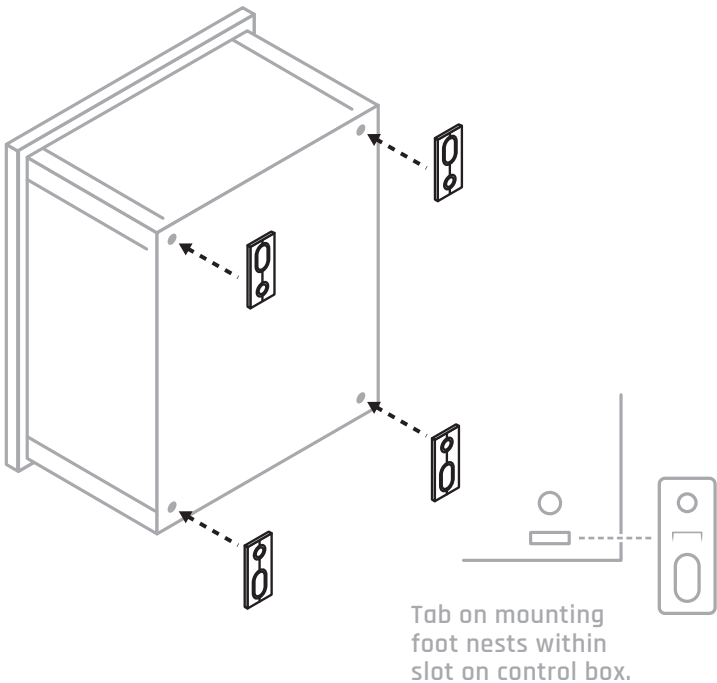
Remove pole mounting hardware from back of control box using drill with Phillips #2 bit.



Wall Mounting

STEP 02

Attach mounting feet to back of control box using same screws and drill with Phillips #2 bit.



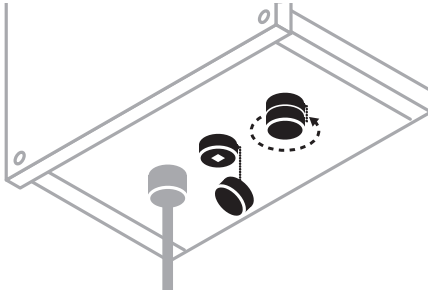
STEP 03

Using hardware appropriate for your mounting surface, attach control box to wall.

Connecting & Powering

STEP 01

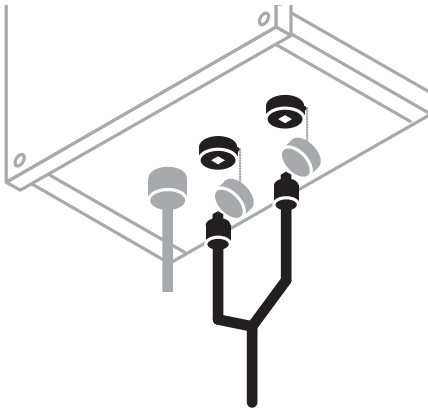
Twist protective plug caps off bottom of control box. The caps should hang freely.



STEP 02

Connect camera and siren to control box by plugging in both connectors of braided cable coming from camera.

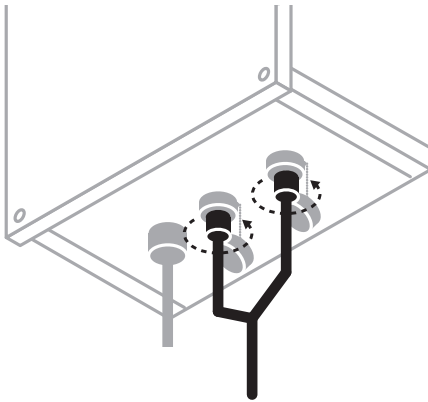
Connectors go into either socket and should snap firmly in place.



Connecting & Powering

STEP 03

Twist protective plug caps on connectors up into bottom of control box. This will create a watertight seal.



STEP 04

Connect control box to power.

For 110v: Plug control box into standard 110v power outlet. Your camera will be online and ready to use within 10 minutes.

For Solar: At this point, please proceed to the Solar Module Installation Manual and follow the instructions through the end of the guide.

One Last Step!

Did you know that our support team offers a free installation review?

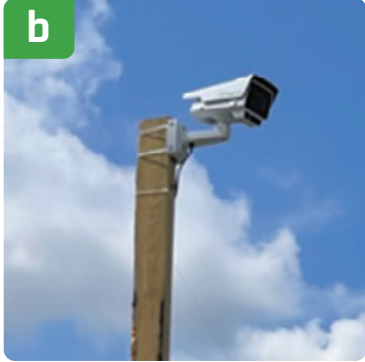
Once you're done, simply snap a few pictures and email them to support@truelook.com. If we notice anything that we can help with, we'll reach out. This will also help our support team quickly view your setup if you run into equipment issues at any point in the future.

THE EMAIL

For the most efficient response from our team, include the following in your email:

- 1** Company Name
- 2** Project Name
- 3** Contact person for installation issues
- 4** The following photographs:
 - a)** Your whole TrueLook solution: the camera, what it's mounted to, and any accessories (such as solar panels)
 - b)** Close-ups of mounting
 - c)** Close-ups of connections
 - d)** Inside control box, if applicable (this is especially helpful for solar panels, solar skids, and mobile trailers)

Photograph Examples



Notes

Your Unique Login



23019-1103