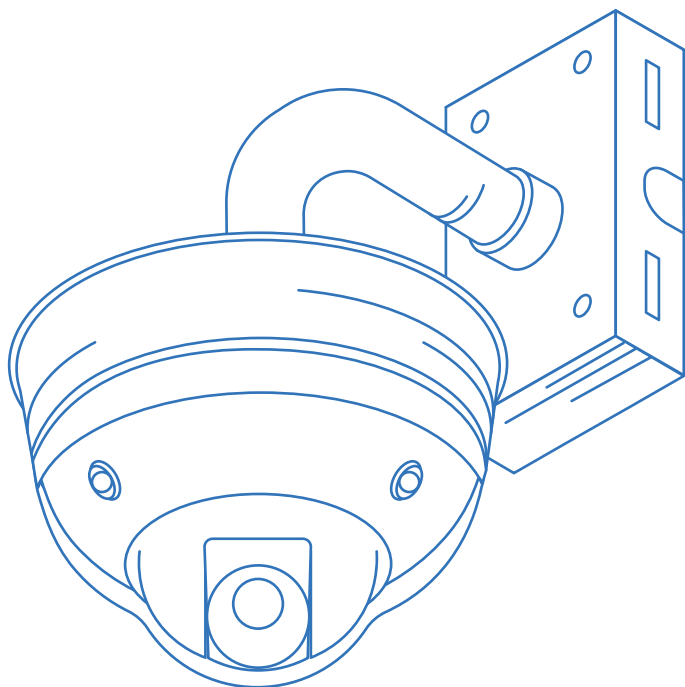


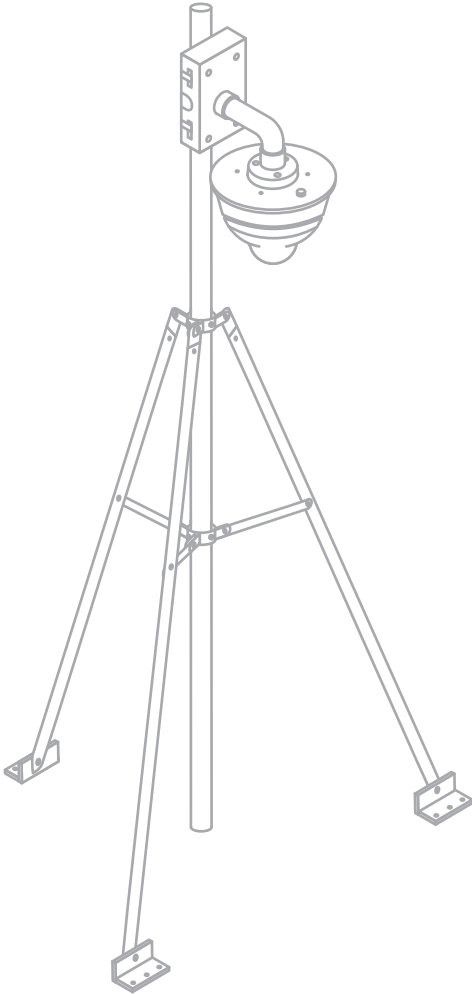
Interior Multi-Camera

Installation Manual



Assembled Unit

Tripod not included.



Unlimited Support

If you have any questions or issues with your TrueLook system, please don't hesitate to contact our Customer Support team.

Phone 833-878-3566 (Option 2)

Email support@truelook.com

You can also submit a support request online at:

support.truelook.com/contact-support

Online Resources

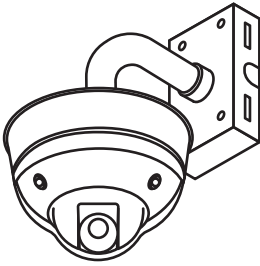
Visit truelook.com/install to access:

- ✔ A guide to administrative settings and time-lapse setup
- ✔ Video demonstrations of installation procedures
- ✔ And more!

For Terms & Conditions, as well as Warranty information, visit: truelook.com/terms-conditions.

Hardware Packing List

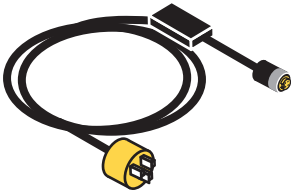
Camera and Pendant Mount [1x]



40" Steel Straps [2x]



20' 110V Power Cord [1x]



Assorted Hardware

Zip Ties [4x]

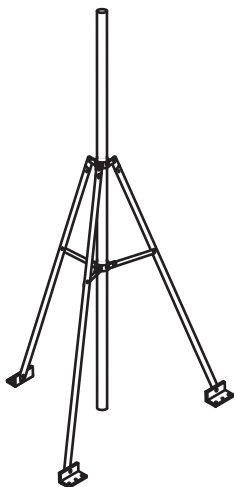


Getting Started

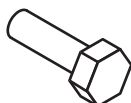
Tripod Mount Kit [1x]

Only included with tripod order.

Tripod [1x]



Bolts [6x]



Square Nuts [6x]

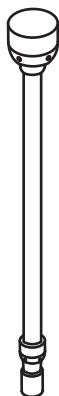


Hex Nuts [6x]



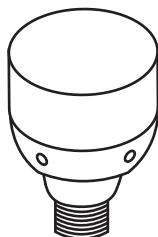
Extendable Ceiling Mount Kit [1x]

Only included with extendable ceiling mount order.



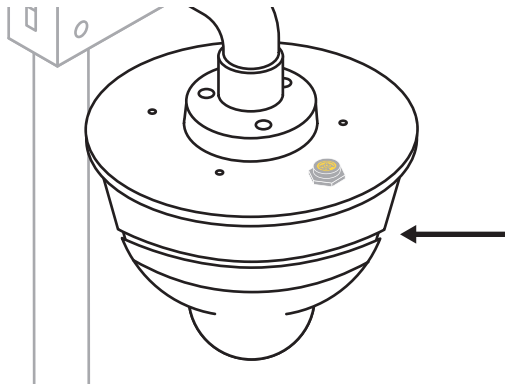
Flush Ceiling Mount Kit [1x]

Only included with flush ceiling mount order.



Preparing for Installation

Warning: A correctly assembled interior camera will have a gap around the top rim. Do not attempt to close or otherwise tamper with the gap.



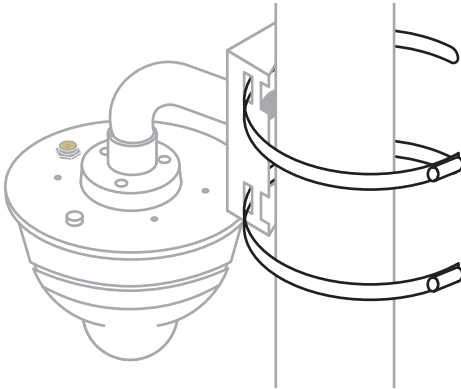
Determine Mounting Hardware

Wall Mounting

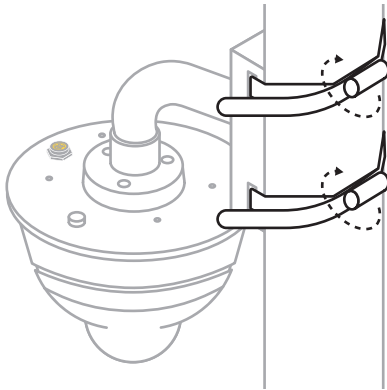
Your mounting kit **does not include** hardware for wall mounting. Choose appropriate mounting hardware for your surface.

Pole Mounting

Step 1 Thread steel straps through top and bottom of pendant mount.

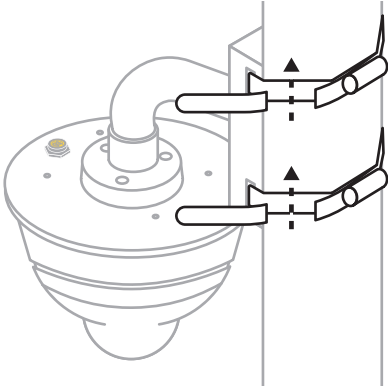


Step 2 Tighten each strap around pole using a drill with a 5/16 hex head driver bit (not included).



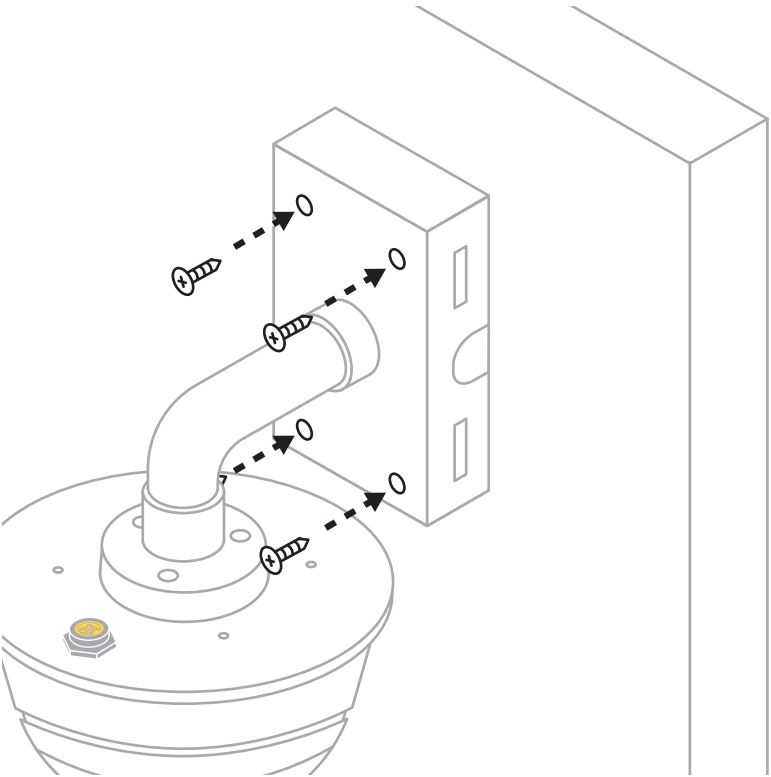
Installation

Step 3 Trim steel straps to desired length using tin snips (not included).



Wall Mounting

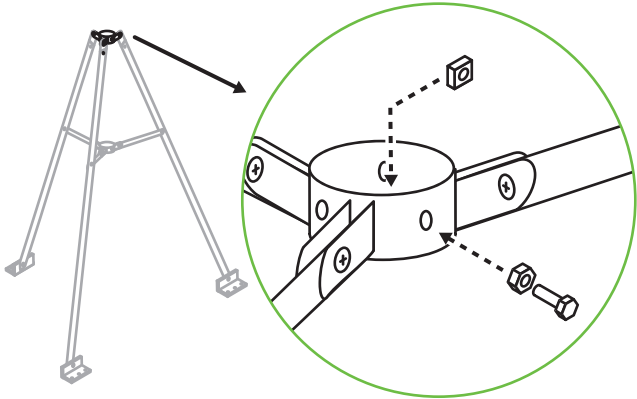
Step 1 Using chosen hardware (see “Preparing for Installation” section), secure pendant mount to wall.



Tripod Mounting

Step 1 Extend legs of tripod and remove protective wrapping.

Step 2 Thread hex nut onto bolt, then hand thread hardware into upper center circle of tripod. Thread square nut onto bolt end on inside of circle.



Step 3 Repeat step 2 with other two sets of hardware, then repeat with lower center circle.

Step 4 Slide mounting pole through center holes of tripod.

Step 5 Follow pole mounting instructions (page 7).

Step 6 Extend pole to desired height.

Note: Pole should not be raised above lower center circle of tripod.

Installation

Step 7 Tighten bolts to clamp down on pole evenly using a ½” wrench or socket (not included).

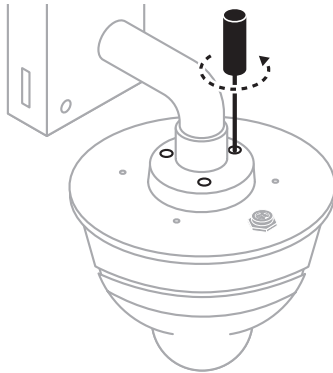
Step 8 Move tripod to desired area and secure feet.

Warning: It is your responsibility to secure the tripod properly to ensure it does not fall over. We suggest securing the feet to the floor or a pallet with lag bolts (not included) or weighing them down with ballast material like sandbags or cinder blocks.

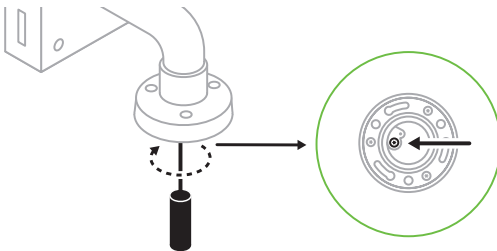
Ceiling Mounting

It is recommended to mount the ceiling mount prior to camera installation. Proceed to your ceiling mount's manual for mounting instructions.

Step 1 Remove camera from pendant mount by loosening screws using Phillips #3 screwdriver (not included).

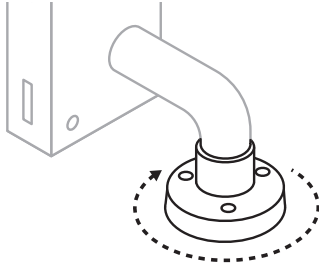


Step 2 Loosen screw on inside of pendant using T20 Torx screwdriver (not included).

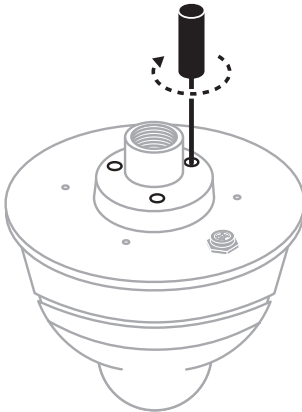


Installation

Step 3 Remove pendant from mount by hand-twisting pendant clockwise.

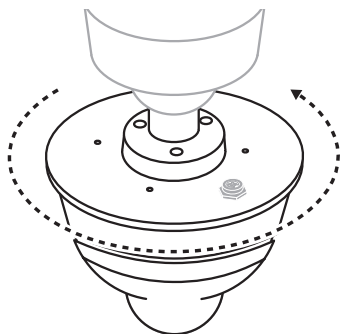


Step 4 Secure pendant to top of camera by tightening previously removed screws from Step 1 using Phillips #3 screwdriver.



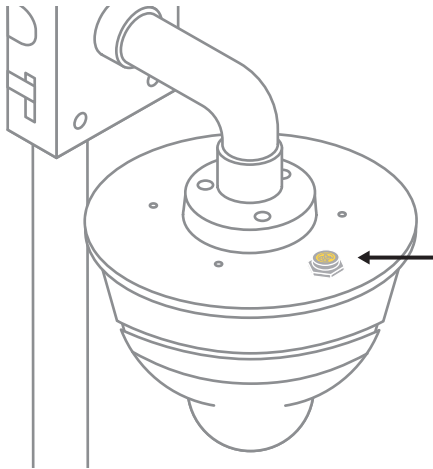
Installation

Step 5 Secure camera to ceiling mount by hand-twisting pendant onto ceiling mount clockwise.

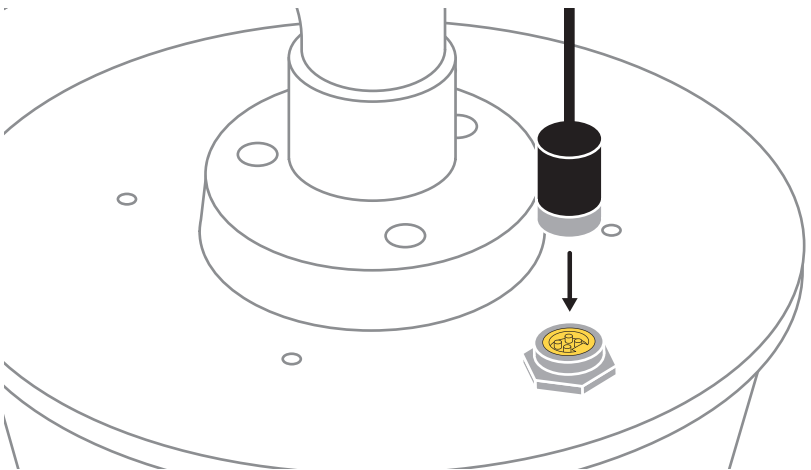


Powering the System

Step 1 Locate yellow connector port on top of camera.

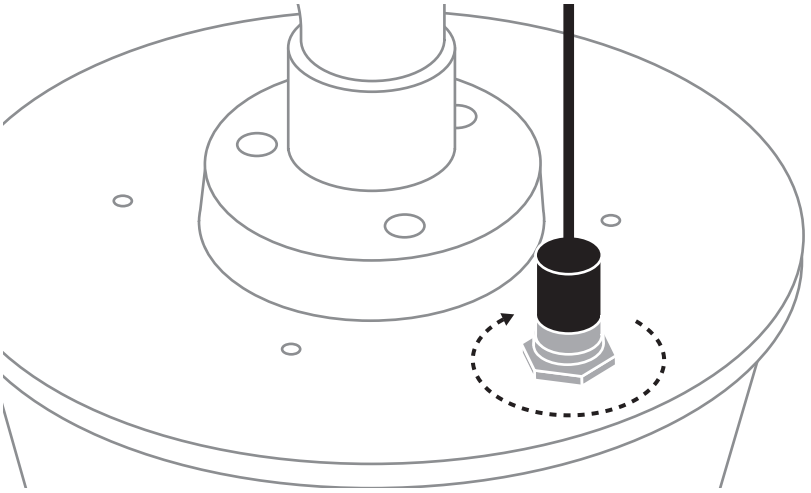


Step 2 Align notches and plug end of 110V cable into port.

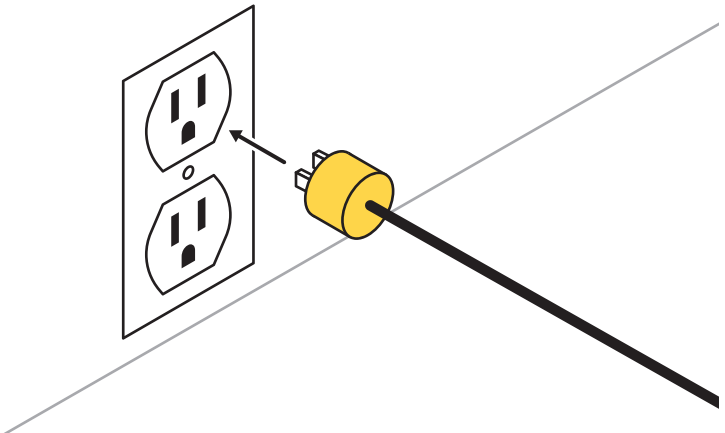


Powering

Step 3 Gently hand tighten silver collar to secure cable end into input.

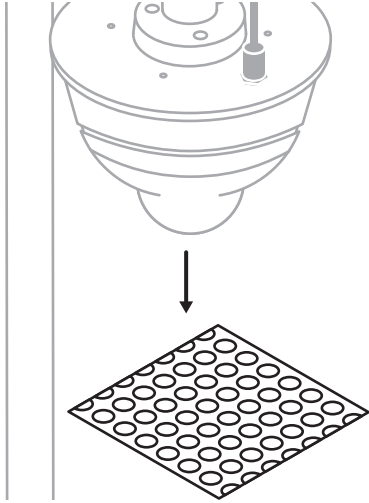


Step 4 Plug other end of 110V cable into power outlet. Cable end will light up green when supplied with power.

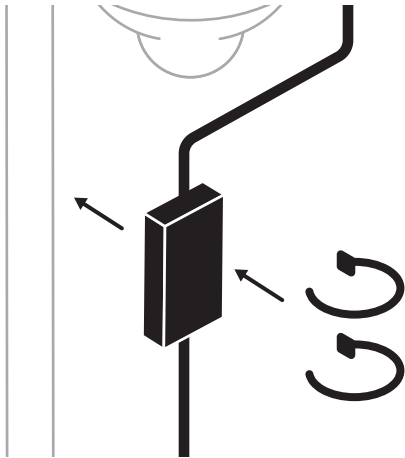


Powering

Step 5 Remove protective covering from camera. Your camera will be online and ready to use within 10 minutes.



Optional: Secure power box on 110V cable to pole using zip ties (included) or to wall using appropriate hardware for your surface.



Verifying Camera Operation

After providing your TrueLook Camera with power, wait **10 minutes** for it to come online.

If you don't see the camera in the TrueLook Platform, contact Customer Support for assistance.

Maintenance Tips

- ✔ Camera is interior use only. Do not mount or store outdoors.
- ✔ Clean camera dome as needed using a microfiber cloth.
- ✔ Mounting hardware may loosen over time due to construction machinery causing vibrations. Regularly check that all hardware has remained tight.

Troubleshooting

Camera Not Operating Properly

1. Check that the power cable connector is securely fastened into input.
2. Check that the power source is supplying power. The power cable end will light up green when power is supplied.

If your system is still not functioning properly, please contact Customer Support for further assistance.

Support Review

Once you're done with installation, snap a few pictures and email them to support@truelook.com. If our Customer Support team notices anything they can help with, they'll reach out. This will also help with a quick review of your setup if you run into future issues.

The Email

For the most efficient response from our team, include the following in your email:

1. Company name
2. Project name
3. Contact person for installation issues
4. The following photographs:
 - A. Your whole TrueLook solution: the camera, what it's mounted to, and any accessories
 - B. Close-ups of mounting
 - C. Close-ups of connections