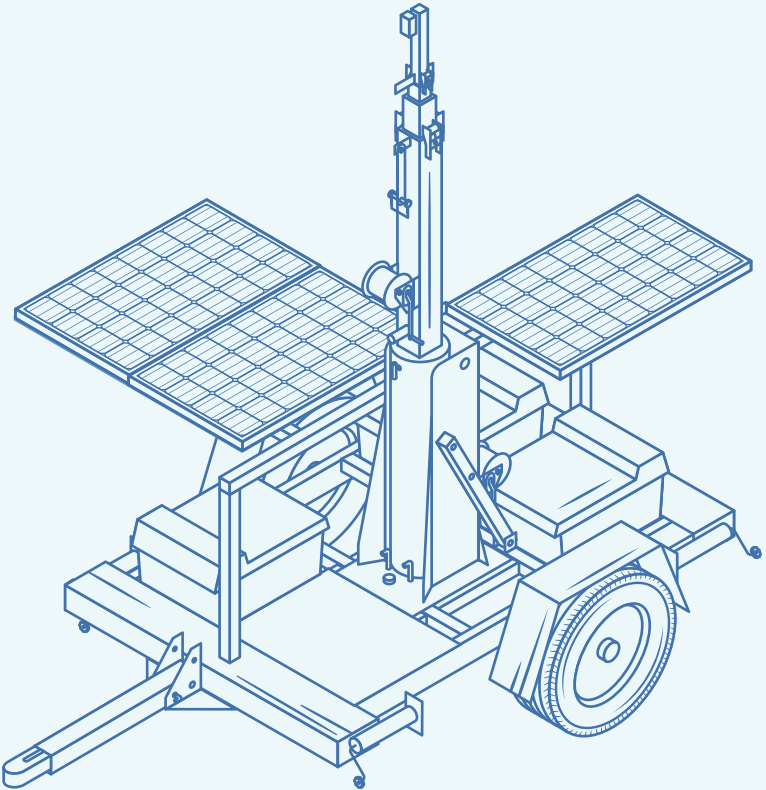
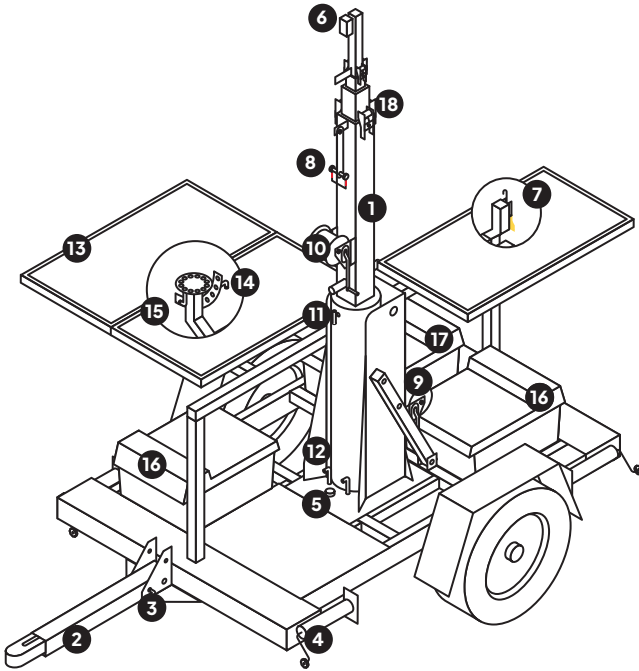


Mobile Camera Trailer

Leasing Return Guide



Assembled Unit



1. Mast
2. Trailer tongue
3. Trailer tongue pin
4. Jack stands (4)
5. Bubble level
6. Trailer power input
7. Yellow lock handle
8. Red lock pin
9. Mast raising winch
10. Mast extending winch
11. Mast rotation lock bolt
12. Mast locking pins
13. Solar panels
14. Panel angle adjuster bolt
15. Panel swivel lock bolt
16. Battery boxes (2)
17. Storage compartment
18. Mast stabilization rollers

Unlimited Support

Thank you for choosing TrueLook's Leasing Program for your jobsite's documentation needs! When your lease ends, please use the below information to contact our Leasing Department.

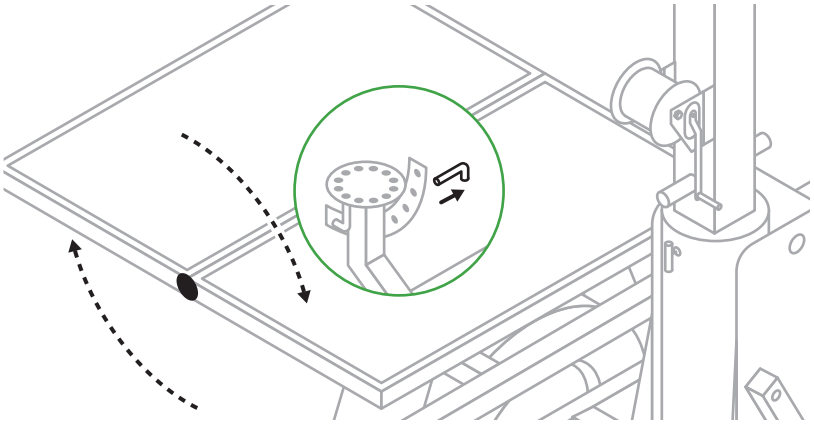
Email leasing@truelook.com

Trailer Return

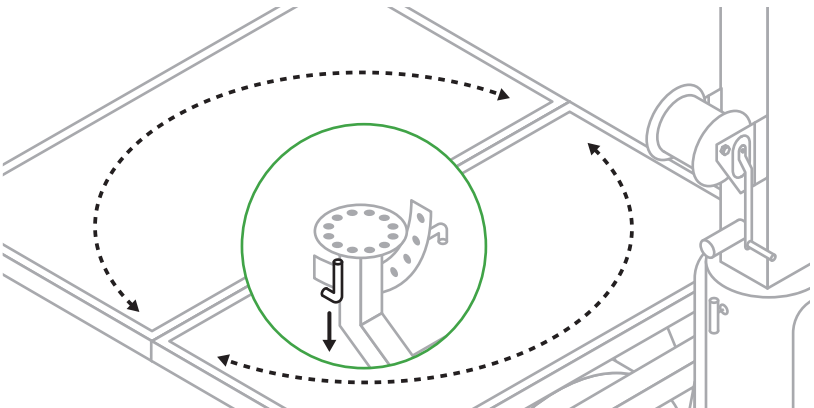
This guide will walk you through how to prepare your trailer and camera for shipment. If you haven't already done so, reach out to TrueLook's Leasing Department to schedule your leased trailer's return by emailing leasing@truelook.com.

Solar Panels

Step 1 Angle the panels to lay flat by removing the panel angle adjuster bolt and placing it in the corresponding hole.

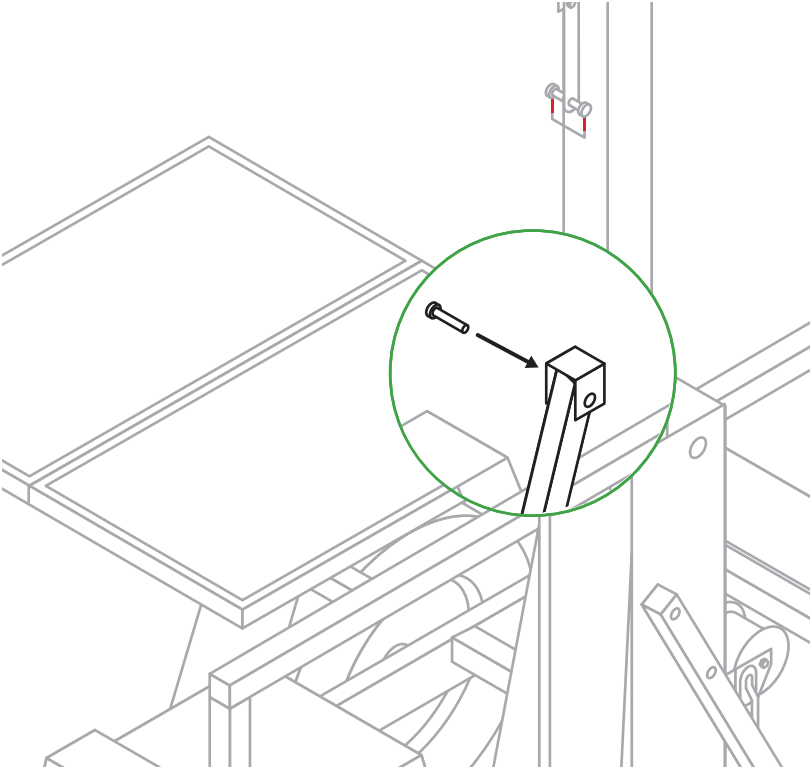


Step 2 Rotate the panels to lie in line with the trailer by pulling down on the panel swivel lock bolt and moving the panels to lie squared with the trailer. Replace the lock bolt to secure.



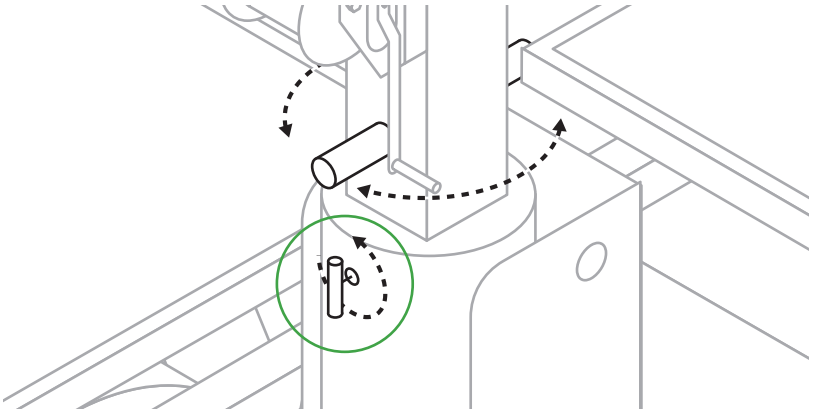
Preparation

Step 3 Secure the solar panels to the travel arm(s) by attaching the pin(s).

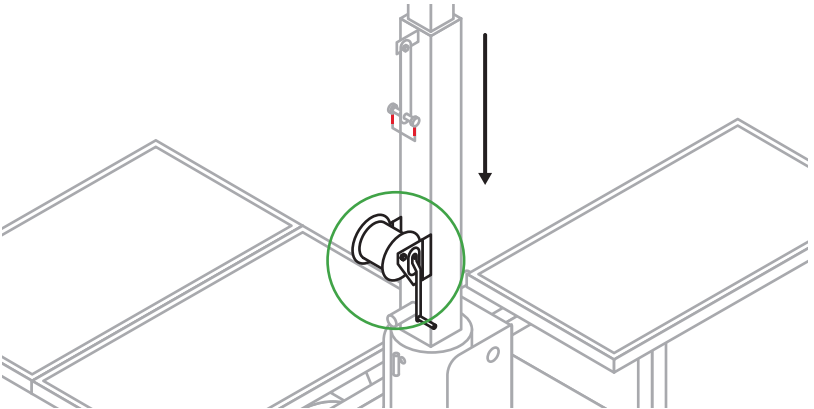


Trailer Mast

Step 1 Reposition the mast back to its original position by removing the rotation lock bolt and rotating the mast, aligning the red arrows to point at each other. Re-tighten the rotation lock bolt.

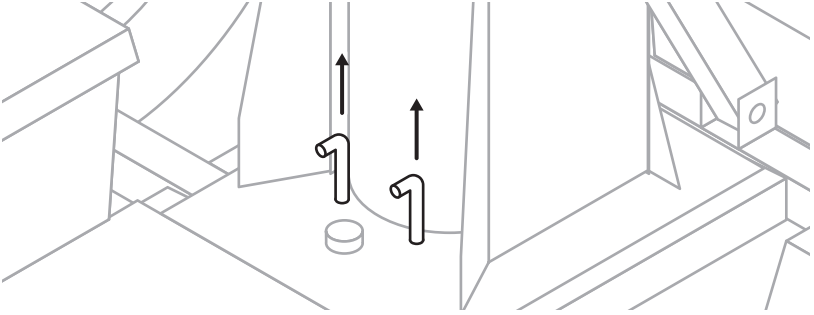


Step 2 Use the higher winch to lower the extendable portion of the mast until fully collapsed.

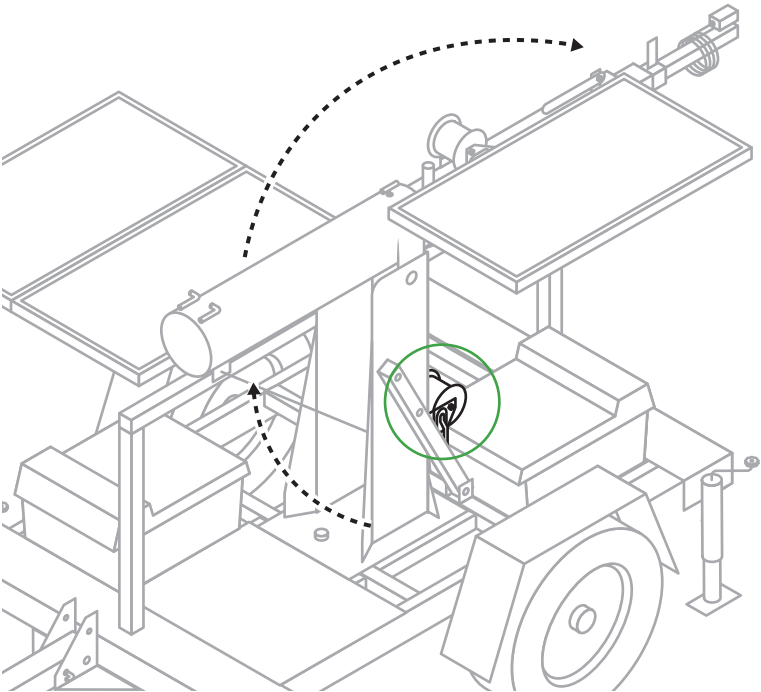


Preparation

Step 3 Remove the two locking pins from the holes at the base of the mast.

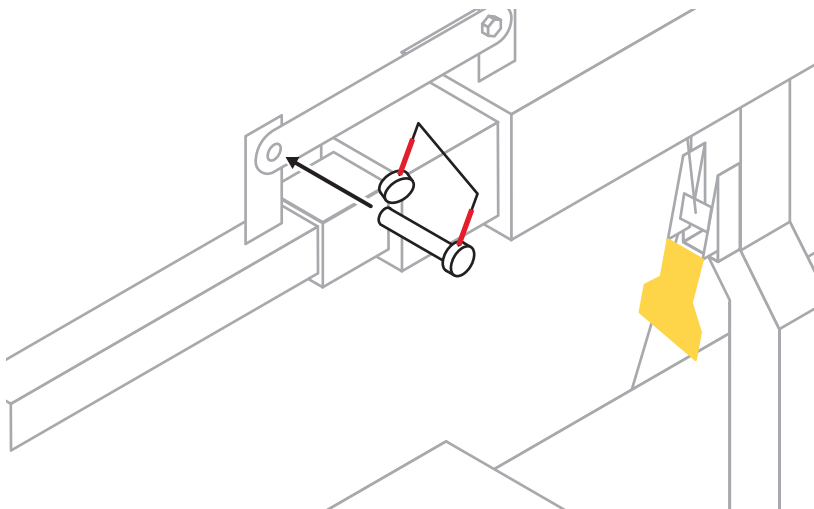


Step 4 Use the lower winch to position the mast to lie horizontal.

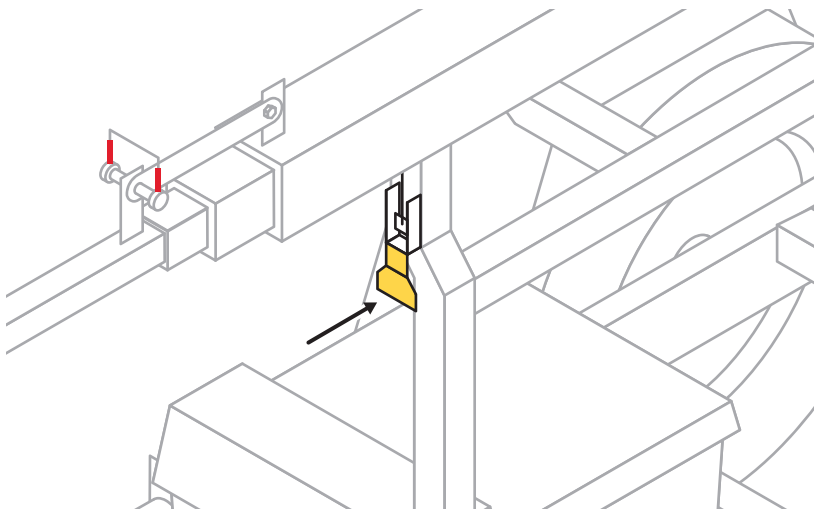


Preparation

Step 5 Insert the red lock pin and hook the wire to secure.



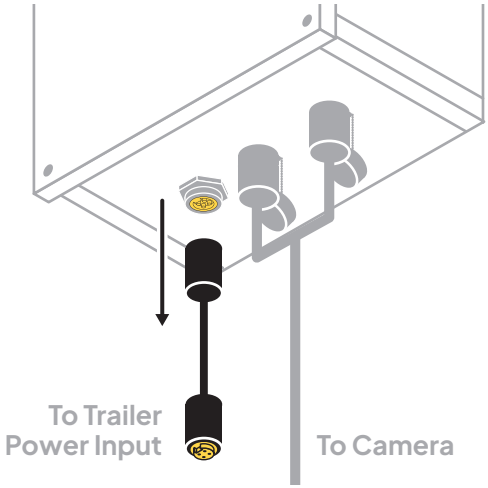
Step 6 Lift the yellow lock handle to position the metal hook, then lower the handle to secure the hook into the hole.



Camera System

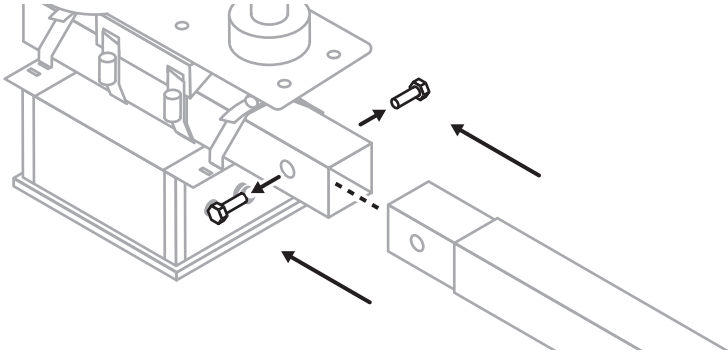
Notice: Exact camera model may not be shown, and not all camera models utilize a control box. Please contact TrueLook for assistance with your camera model if needed.

Step 1 Remove the connector with a silver collar from the camera or control box by hand-twisting the collar counter-clockwise. Repeat to remove the other end of the power cable from the trailer.

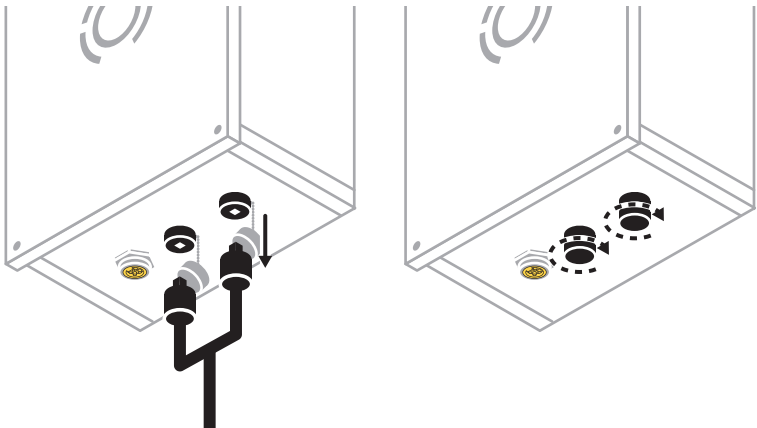


Preparation

Step 2 Remove the mast adapter from the mast by loosening the bolts using a 19mm wrench (not included). Carefully slide the mast adapter off the trailer mast end.

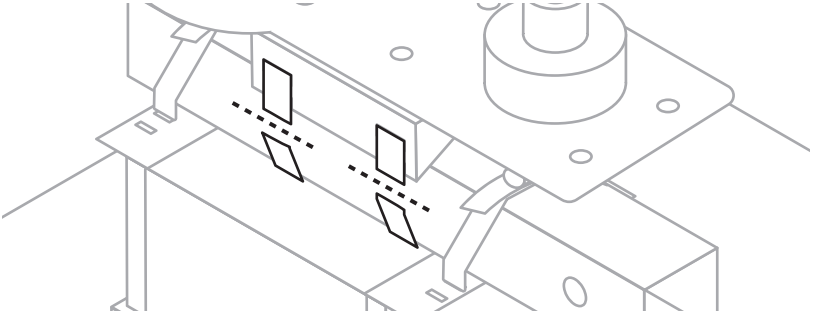


Step 3 If your system has a control box, disconnect the camera system from the control box by twisting the protective cap(s) on the camera connector(s) counter-clockwise. Remove the connector(s) by pressing the clip to release the connector(s), then twist the hanging protective cap(s) onto the device input(s).



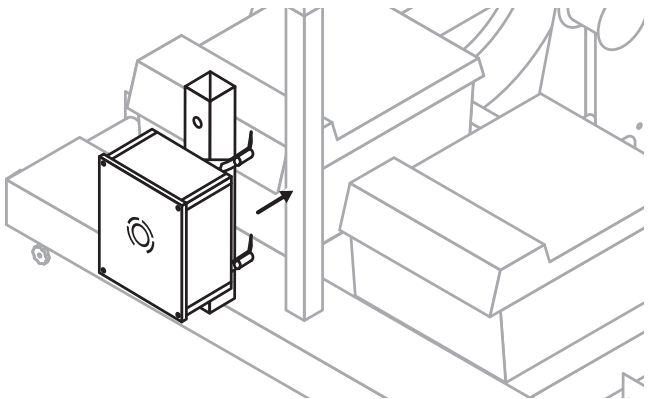
Preparation

Step 4 Remove the camera system (excluding the control box) from the mast adapter by cutting the steel straps using tin snips (not included). Safely dispose of straps, being aware of sharp edges.



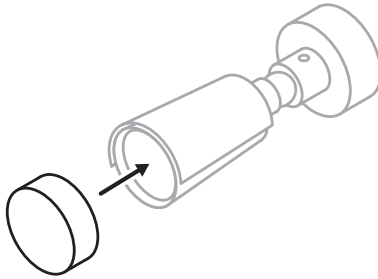
Step 5 Thoroughly clean off all equipment using a microfiber cloth. All equipment must be completely dry before placing inside the trailer storage compartment to prevent water damage.

Step 6 Secure the mast adapter with the control box to the back of the trailer body by sliding the strap between the mast adapter and the control box. Tighten the strap around the support structure using a drill with a T-30 driver bit (not included).

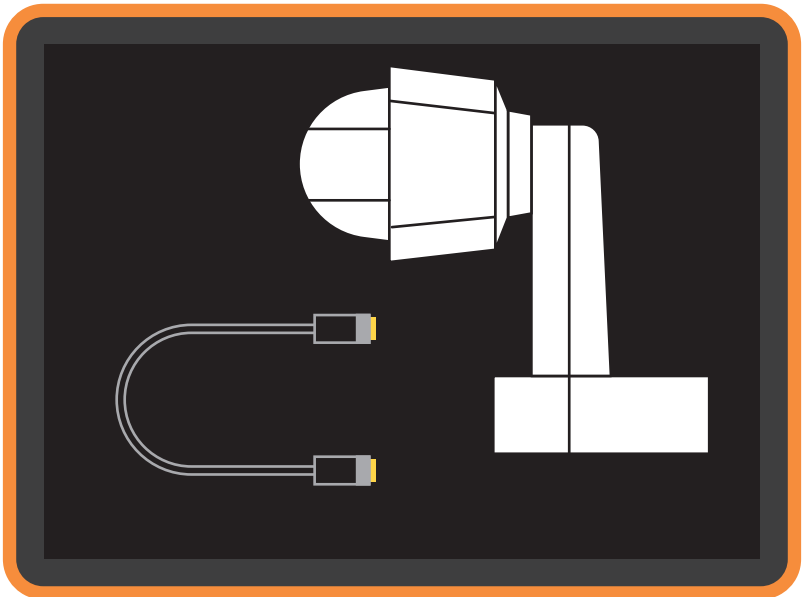


Preparation

Step 7 Place the lens cap on (not applicable to PTZ cameras) and wrap the camera in bubble wrap. Secure bubble wrap with tape.

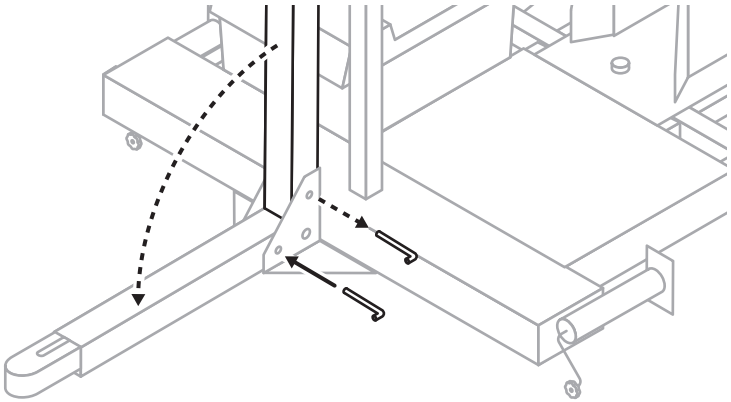


Step 8 Pack into the trailer storage compartment and add extra packing material to avoid shifting.

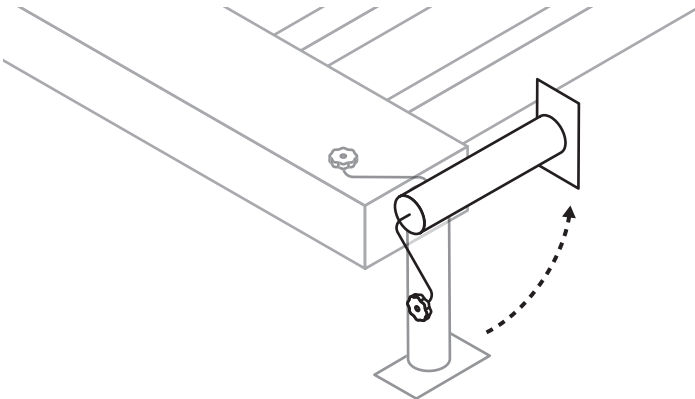


Trailer Body

Step 1 Put the trailer tongue down by unhooking the clip and removing the pin, then lowering the trailer tongue to be horizontal. Place the pin and hook the clip to secure.

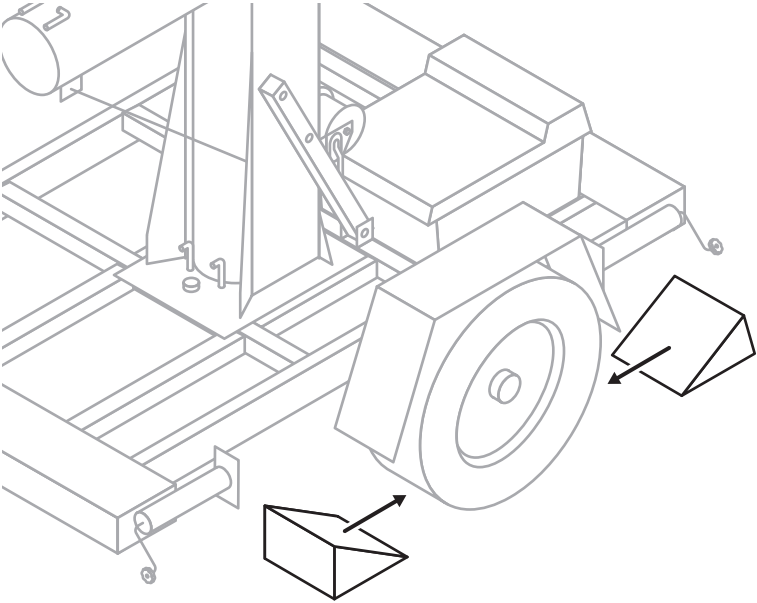


Step 2 Put jack stands up by pulling the pin and turning the jack stands horizontal to lie in line with the trailer.



Preparation

Step 3 Chock all tires on both sides. Keep the tires chocked until the delivery team arrives for trailer pickup.



Review

When the trailer is ready to ship, please email the following pictures of it to leasing@truelook.com:

- All sides of the trailer
- Camera inside storage compartment
- Control box and mast adapter strapped to trailer body (if applicable)

Our team will confirm if it's ready to ship or provide suggestions for more secure shipping.